

POINTELLE SERIES

NICHE®



POINTELLE PENDANT LIGHTS



# 100%

**HONEST-TO-GOODNESS**







## POINTELLE SERIES

---

- 7 POINTELLE GRAND
- 9 POINTELLE PETITE

## ACCESSORIES

---

- 15 INSIDE THE BOX
- 17 METAL FINISH OPTIONS
- 19 CANOPIES
- 21 VOLTAGE MAP
- 22 INSTALLATION GUIDE

## LAMPING OPTIONS

---

- 26 INCANDESCENT BEACON BULB
- 27 LED BEACON BULB
- 28 G-19 CLEAR GLOBE BULB
- 28 G-19 FROSTED GLOBE BULB

## MULTI-PENDANTS

---

- 32 MULTIPLE JUNCTION BOXES
- 32 TRACK LIGHTING
- 33 MULTI-PENDANT CANOPY
- 41 THE CIRCULAR COLLECTION
- 42 THE LINEAR COLLECTION
  
- 46 QUOTE
- 48 CONTACT INFORMATION



SHOWN IN CRYSTAL GLASS WITH RUSTIC BRASS HARDWARE

# POINTELLE GRAND

## PENDANT



### PRODUCT DETAILS

The Pointelle Grand pendant is a glamorous addition to any environment. The elegant transparent glass shimmers just as beautifully as crystal. Completely hand-blown, the Pointelle Series features a gently hand-pulled tip to create a perfect raindrop shape. The Pointelle Series looks stunning clustered and cascaded together.

### SPECIFICATIONS

Hand-blown glass

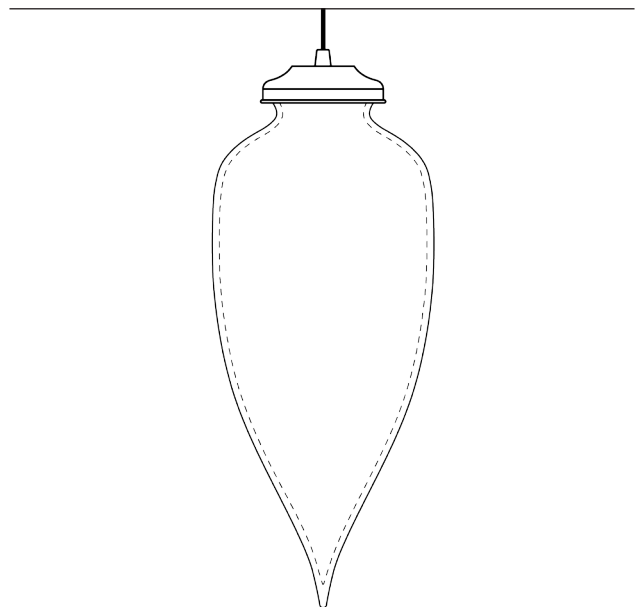
Includes: Pointelle Grand shade, black glass holder and black ceiling canopy. See [tear sheet](#) for more information and additional options.

### DIMENSIONS

18"H x 7.75"W

### PRODUCT PAGE

[shop.nichemodern.com/product/pointelle-grand-modern-pendant-light.html](http://shop.nichemodern.com/product/pointelle-grand-modern-pendant-light.html)





SHOWN IN CRYSTAL GLASS WITH RUSTIC BRASS HARDWARE



# POINTELLE PETITE

## PENDANT



### PRODUCT DETAILS

Slender in its silhouette, the Pointelle Petite complements its robust partner, but can also be installed in multiples of itself. Each piece diffracts and diffuses light in an elongated beautiful pattern, creating a shower of dancing light. Details include hand-blown glass which is gently hand-pulled to create the perfect teardrop shape. Sexy and sleek, the Pointelle Series looks best when clustered together creating a stunning arrangement of large and small pendants.

### SPECIFICATIONS

Hand-blown glass

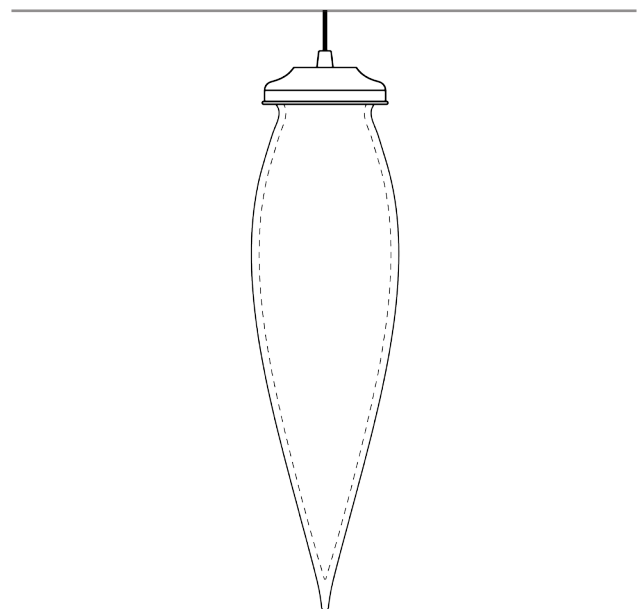
Includes: Pointelle Petite shade, black glass holder and black ceiling canopy. See [tear sheet](#) for more information and additional options.

### DIMENSIONS

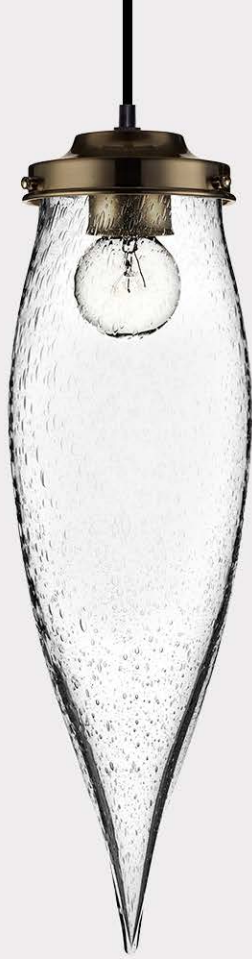
18"H x 5.5"W

### PRODUCT PAGE

[shop.nichemodern.com/product/pointelle-grand-modern-pendant-light.html](http://shop.nichemodern.com/product/pointelle-grand-modern-pendant-light.html)





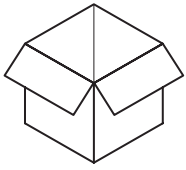






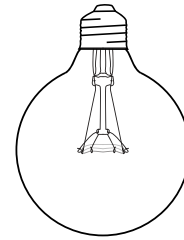
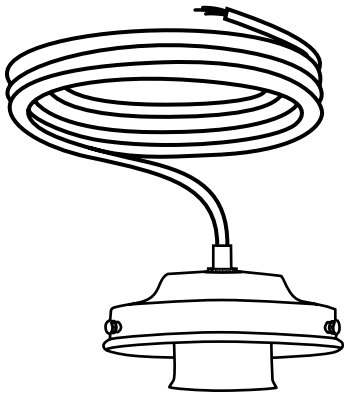
# ACCESSORIES

CUSTOMIZE YOUR PENDANT



# INSIDE THE BOX

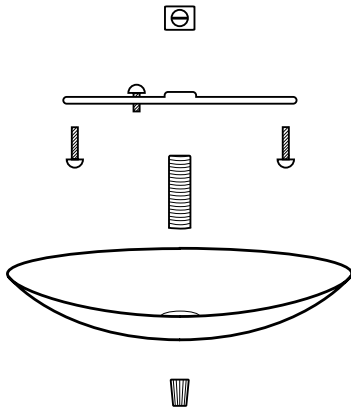
HERE'S WHAT'S INCLUDED!



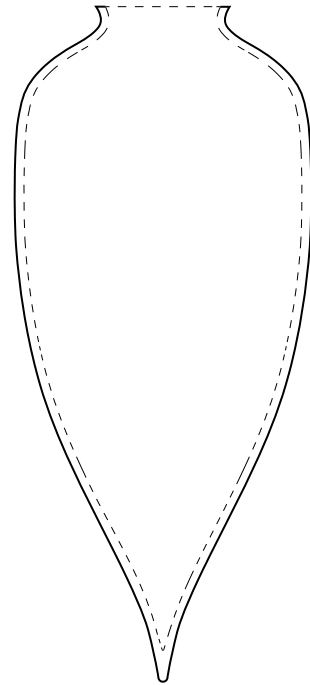
STANDARD 4' BLACK  
CORD WITH GLASS  
HOLDER

BULB





5" CEILING CANOPY  
WITH MOUNTING  
HARDWARE



GLASS SHADE





## BLACK

Our Black metal finish comes standard and is the perfect choice for a modern feel.



## RUSTIC BRASS

To achieve a classic and timeless look select our Rustic Brass metal finish.





# METAL FINISH

## OPTIONS



### POLISHED NICKEL

The Polished Nickel is a great option to attain a more sleek finish.



### BRUSHED NICKEL

Our Brushed Nickel metal finish is a great choice for a contemporary touch.



# CANOPIES

IT'S ALL IN THE DETAILS



BLACK



WHITE



POLISHED NICKEL



BRUSHED NICKEL

## CHOOSE A CANOPY FINISH

Choose from one of our 4 unique finishes to blend in seamlessly with your space! All Niche canopy kits include a 5" domed ceiling canopy, mounting plate & screws. This allows for installation directly into an electrical junction box and the canopy will cover any standard size opening.



The Pointelle pendant can accommodate both 120 and 240 volt settings. 120v bulbs are included. For 240v bulbs please call or email us for options.

**W H E R E I**



# **N T H E W O R L D A R E Y O U ?**

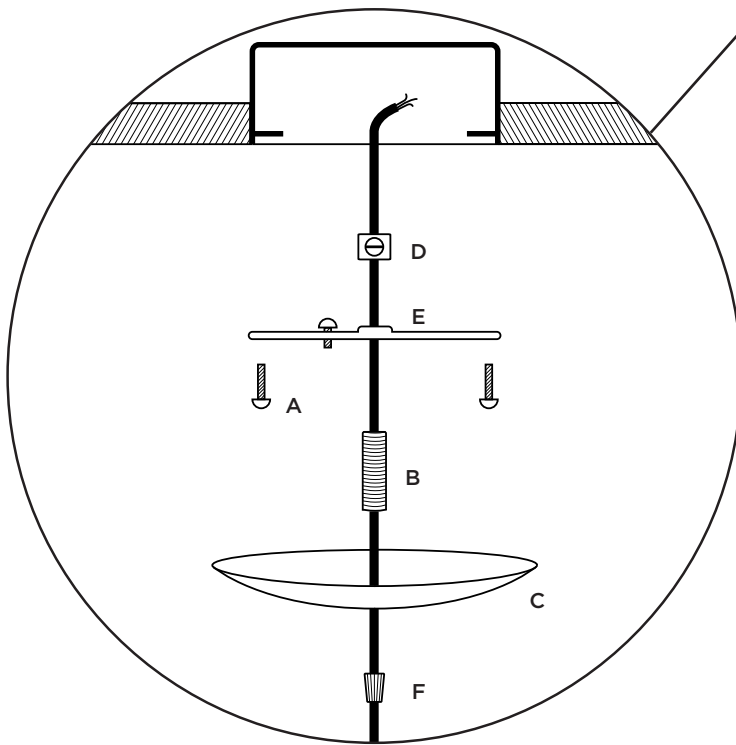
USE THIS MAP TO FIND YOUR VOLTAGE

# INSTALLATION

IN A NUTSHELL...

## 1 SET DROP LENGTH

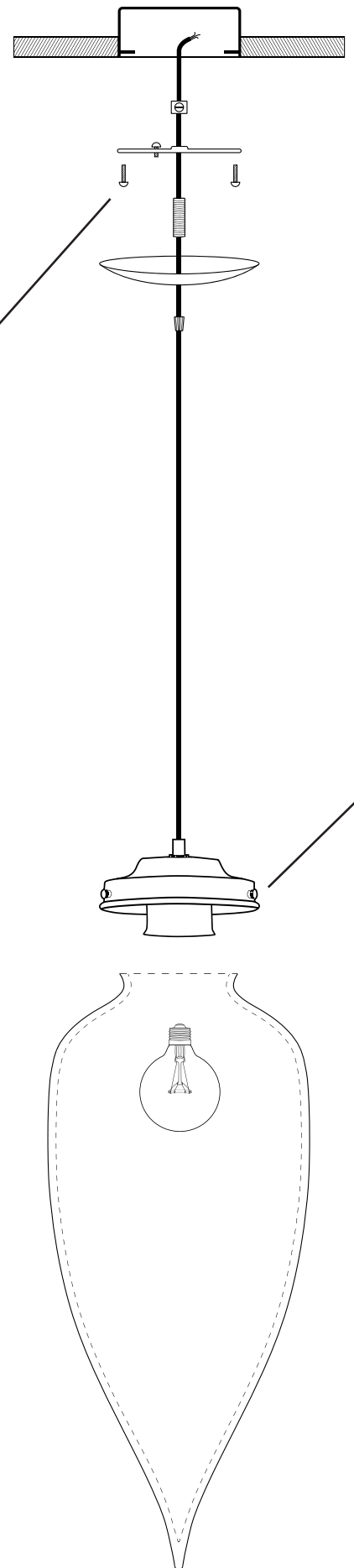
Measure twice, cut once! Make sure your pendant hangs at the right height by setting your drop length ahead of time.



## 2 WIRE IT UP!

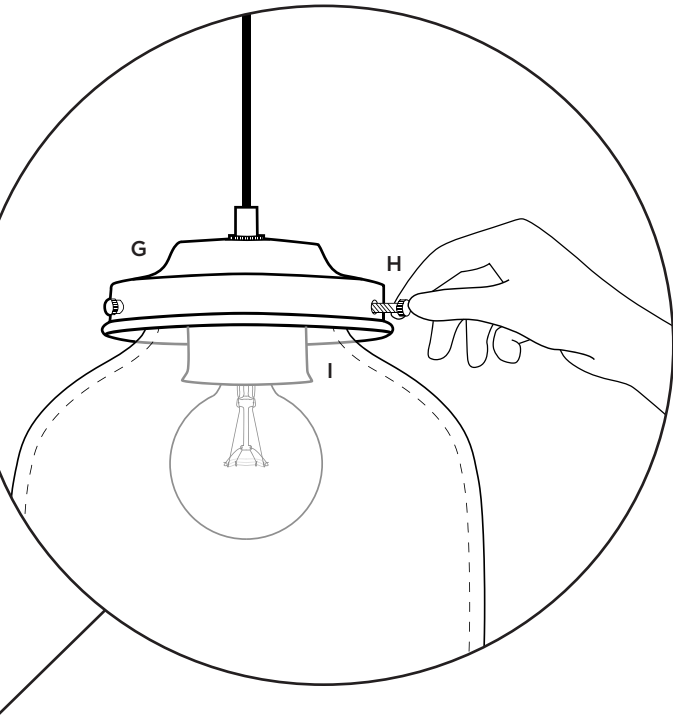
Your pendant includes everything you need to install directly into a junction box. Thread the wire-end of your cord through the included parts of the canopy kit, as pictured. Connect the light fixture wires to the wires in the junction box, followed by attaching the crossbar (E) & the canopy (C).

Your electrician will be able to help you with these steps!



## STANDARD CANOPY KIT INCLUDES

- A MOUNTING SCREWS
- B NIPPLE PIPE
- C CANOPY
- D WIRE STRAIN RELIEF
- E CROSSBAR
- F CANOPY STRAIN RELIEF
- G GLASS HOLDER
- H GLASS HOLDER SCREWS
- I THREADED SOCKET



### 3 THE FINAL MOMENT

When attaching the glass shade to the glass holder (G), unscrew each glass holder screw (H) as far as you can without taking them out completely. First insert your bulb into the threaded socket (I), then hold the glass shade up to the inside of the glass holder so that the glass touches the metal. Retighten each screw alternating sides to center glass, the screws will catch and hold the neck of the glass. Before letting go make sure the glass is secure.

Finally, flip the switch!

#### CAUTION

Be sure the power is turned off by either removing the fuse or shutting off the circuit breaker. Installing your Niche pendant is pretty straightforward, but we always suggest that you work with a certified electrician to ensure proper installation. An electrician can also install your lights on a dimmer switch if using dimmable bulbs. This is highly recommended.



**LAMPING**  
OPTIONS







## INCANDESCENT BEACON BULB

The warm amber glow of the vintage style filaments in the Beacon bulb will provide a nostalgic feel to any environment. This multi-voltage bulb is 30 watts at 120v and 60 watts at 240v. We recommend that you install on a dimmer so that you can adjust the mood and feel.





## LED BEACON BULB

LED nostalgic style bulbs save you energy without having to compromise on design. This dimmable LED Beacon bulb has the warm glow of its incandescent counterpart. Compatible with 120 volts this bulb uses only 2 watts of energy. It is a perfect solution when energy efficiency is required.



### G - 19 CLEAR GLOBE BULB

The nostalgic filaments of this 25 watt bulb create a subtle glow to illuminate the crystal-like glass. For use with 120 volt settings.



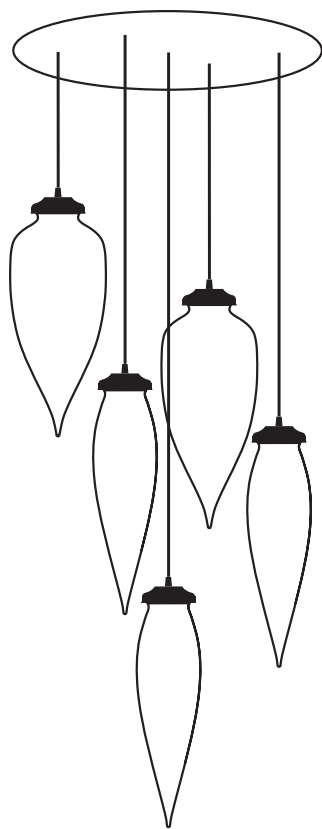
### G - 19 FROSTED GLOBE BULB

Our opaline colored glass glows stunningly with this frosted G-19 globe style bulb. The warm light emitted from the incandescent filaments will suit any environment. The 25 watt bulb is for use with 120 volt settings.





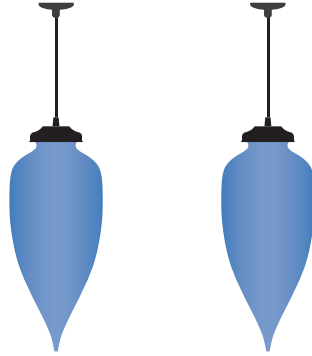
# MULTI-PENDANT



INSTALLATION IDEAS

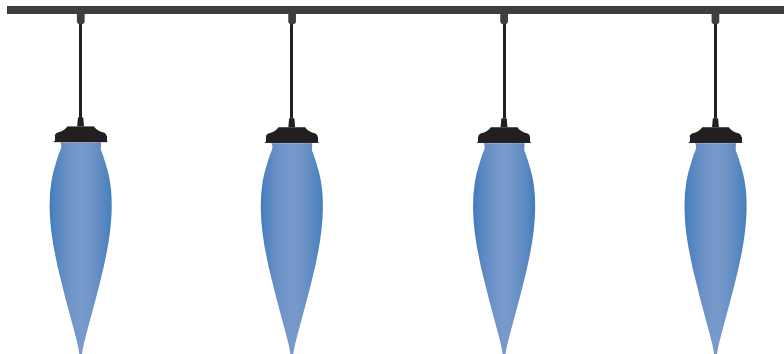
# THE MORE THE MERRIER

## HOW TO HANG MULTIPLE PENDANTS



### MULTIPLE JUNCTION BOXES

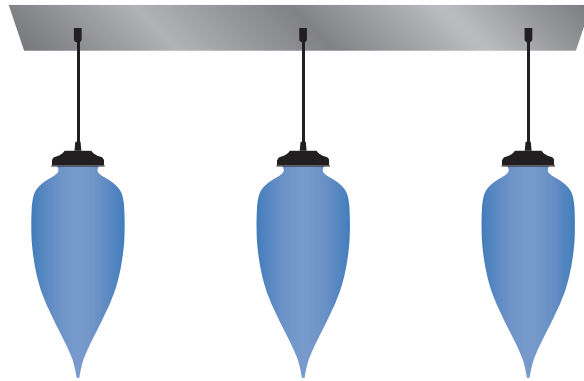
All Niche pendant lights ship with an individual canopy included. This allows for installation directly into a standard junction box. Selecting multiple pendants, whether it's 2 or 3 above a kitchen island, can help visually define your space. Each will require a separate junction box but the 5" dome canopy provides for a classic look that works with multiple pendants.



### TRACK LIGHTING

Track lighting allows you to hang multiple pendants with the freedom to move and position the lights anywhere along the track grooves. Ask your electrician about installation options. Niche pendants are compatible with Halo, Juno and Lightolier line voltage track systems. Niche can provide Halo compatible track connectors which your electrician can wire at the desired height.



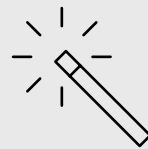


## MULTI-PENDANT CANOPY

Electricians aren't cheap, so if you're planning on hanging more than one pendant you may want to look at our Multi-Pendant Canopy options. This way your electrician only needs one electrical junction box to hang multiple pendants. Choose from a number of our Circular or Linear canopies to hang 2, 3, 4 or more pendants.

## CUSTOM DESIGN SERVICES

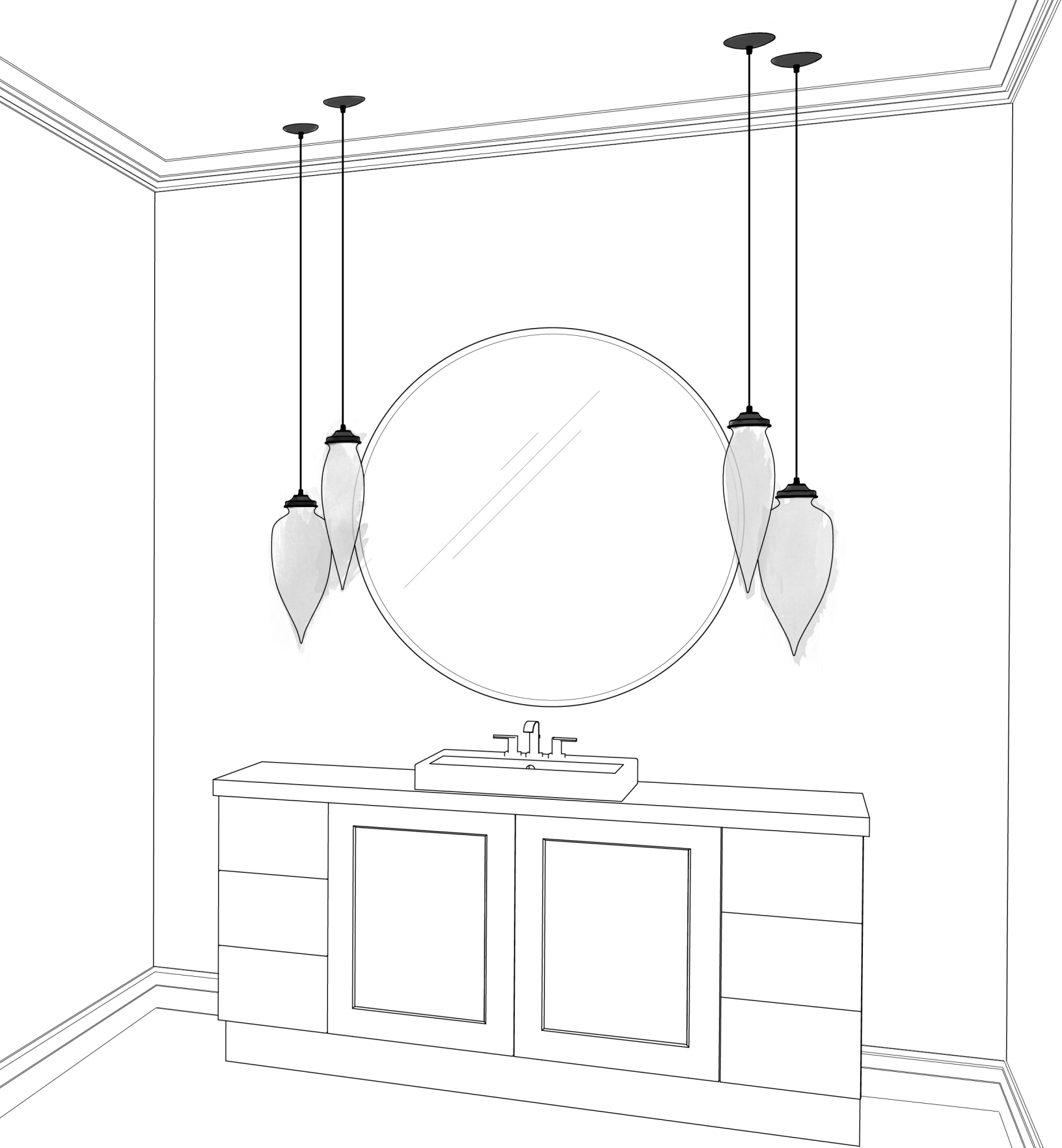
Team Niche is a group of magical beings. We'll wave our magic wands and create something special, just for you. [Click here](#) to get started on your custom installation now!





# INSPIRATIONAL

SETTINGS

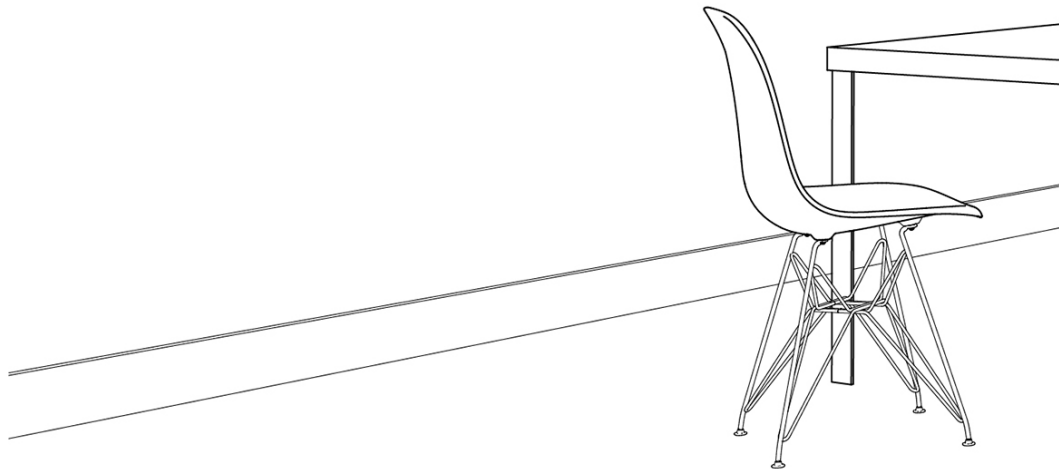


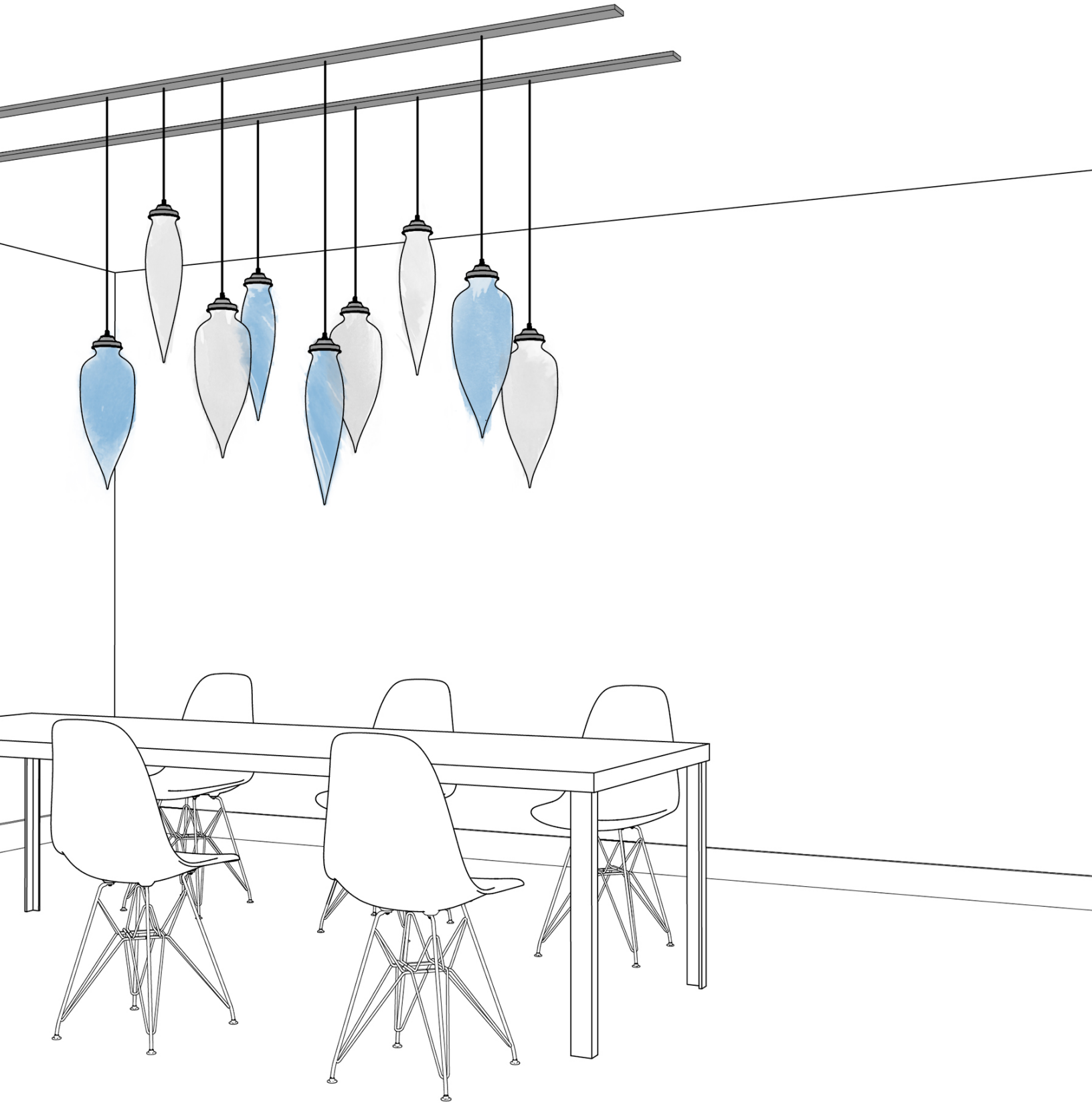
## BATHROOM LIGHTING

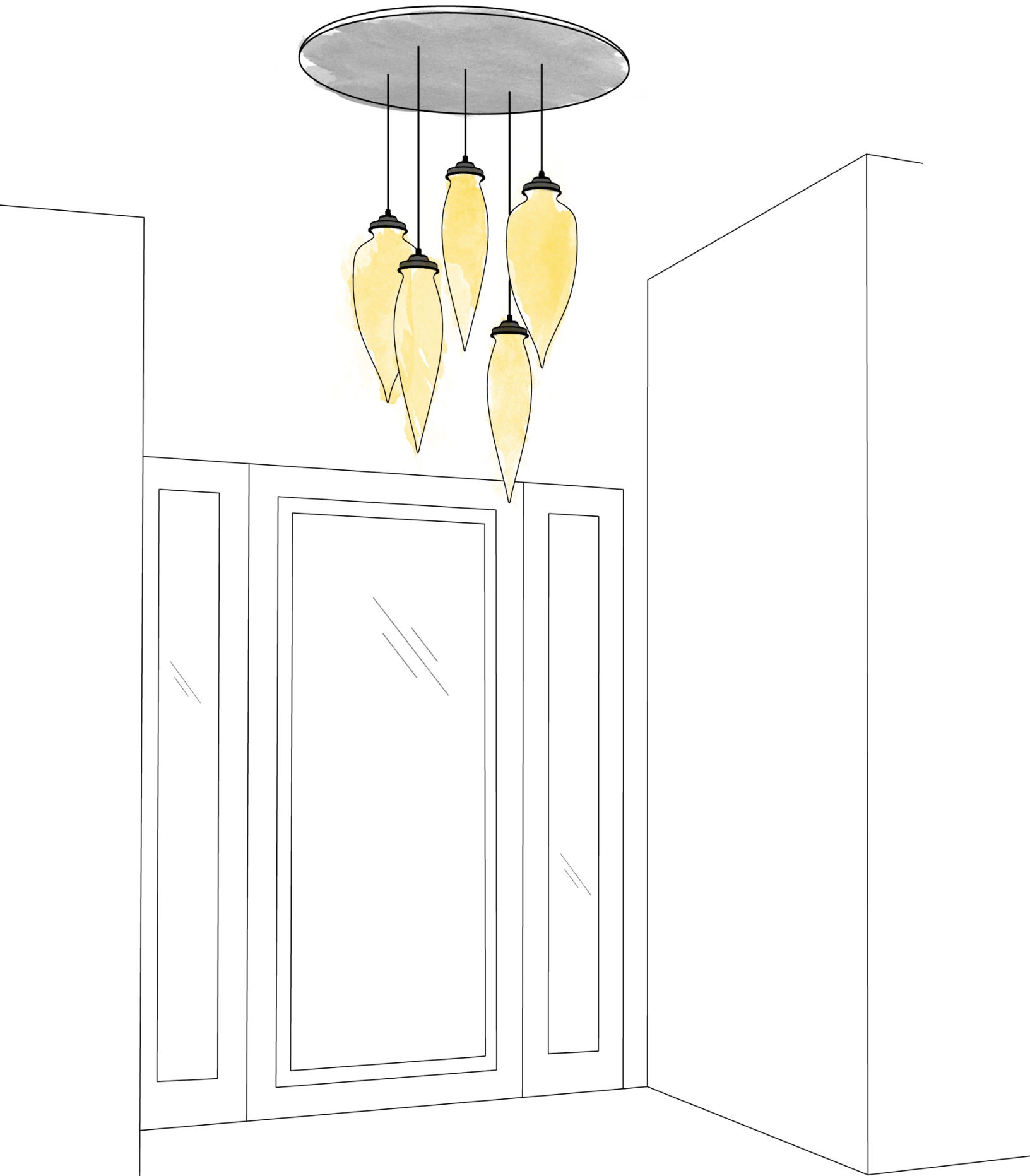
Try something new with your next bathroom project! Changing out those boring sconces and adding multiple junction boxes for Pointelle pendants will freshen things up quite a bit.

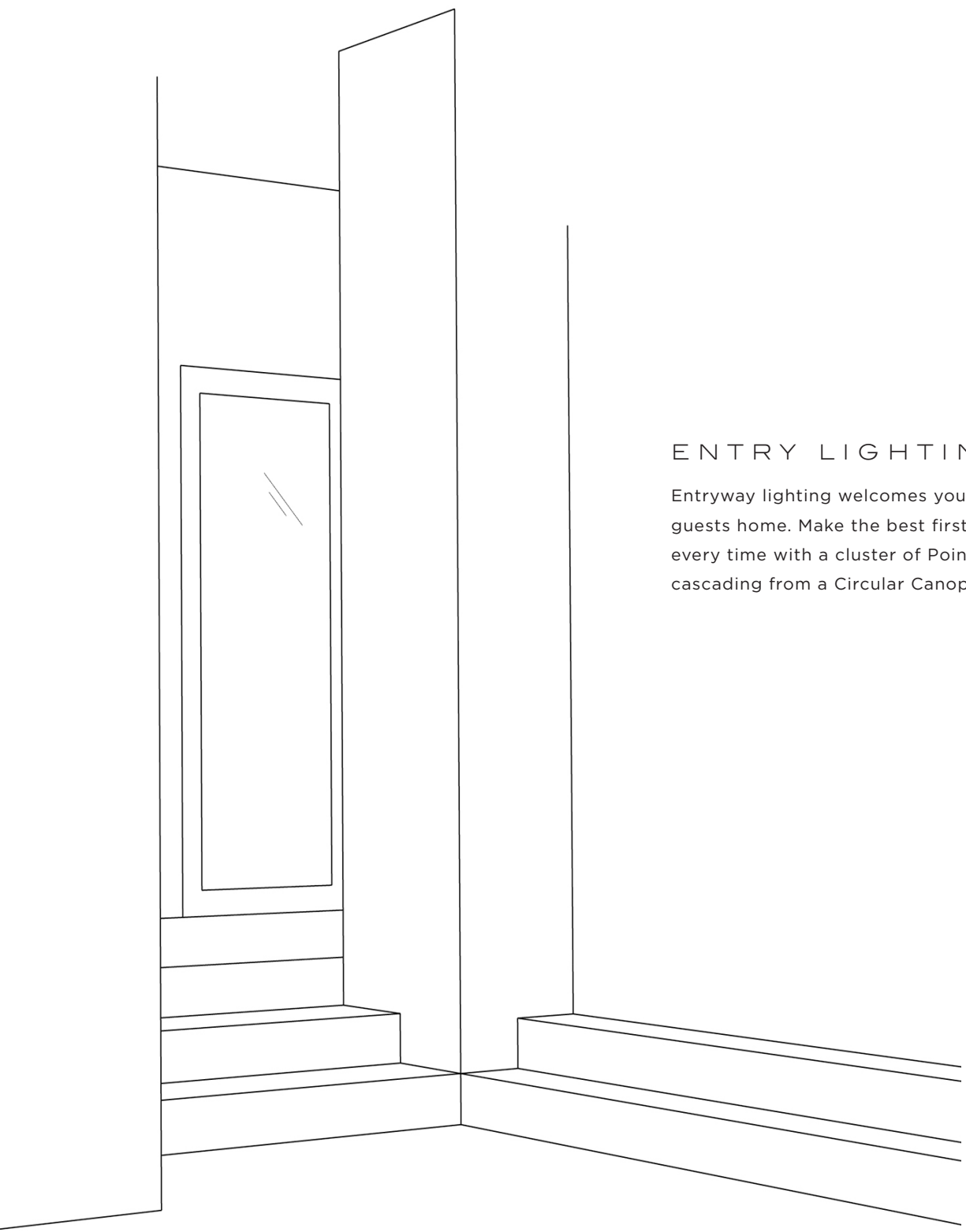
## TABLE LIGHTING

Why stop at the dining room table? A double track of staggering Pointelle pendants can be installed over any table to add elegance and sophistication to any space.









## ENTRY LIGHTING

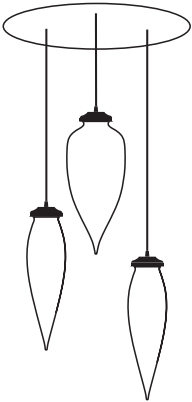
Entryway lighting welcomes you and your guests home. Make the best first impression every time with a cluster of Pointelle pendants cascading from a Circular Canopy.



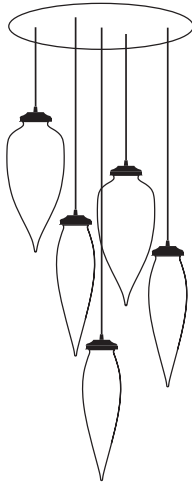


# THE CIRCULAR COLLECTION

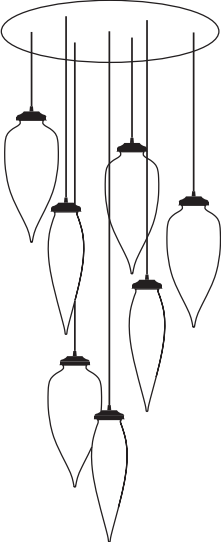
CIRCULAR 3  
18" diameter



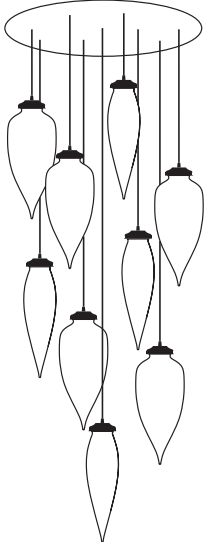
CIRCULAR 5  
18" diameter



CIRCULAR 7  
23.5" diameter



CIRCULAR 9  
23.5" diameter

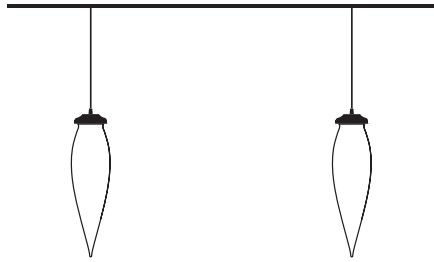


**STAGGER IT**

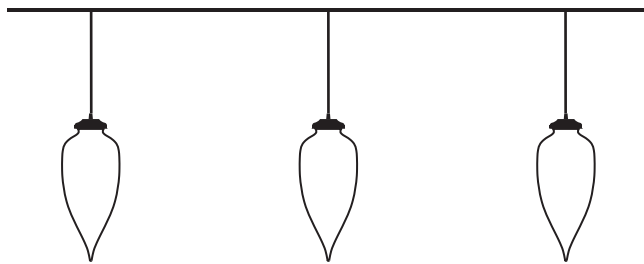
Click [here](#) for more information about the Circular Canopy Collection.

# THE LINEAR COLLECTION

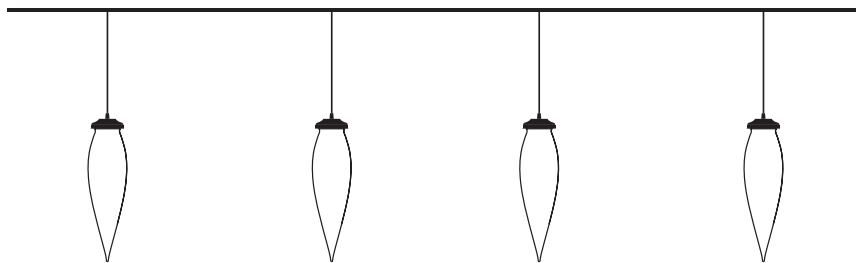
LINEAR 2  
8" x 32"



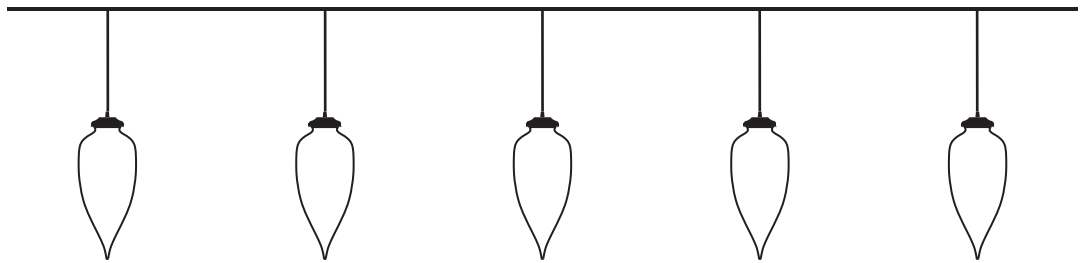
LINEAR 3  
8" x 48"



LINEAR 4  
8" x 64"



LINEAR 5  
8" x 80"



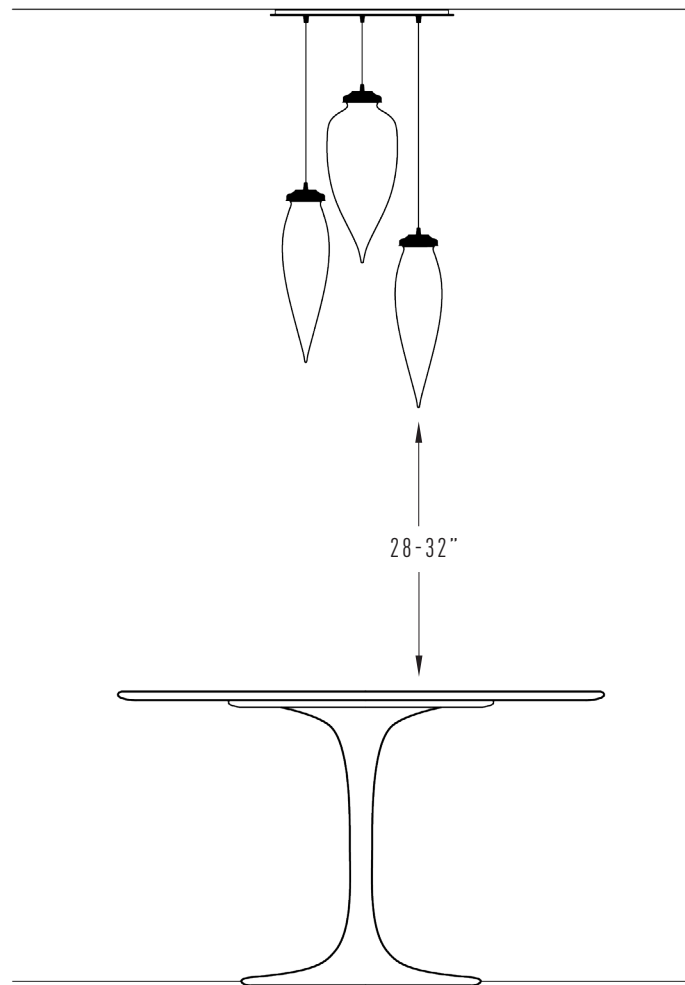
## A STRAIGHT SHOT

Click [here](#) for more information about the Linear Canopy Collection.



# CORD SETS

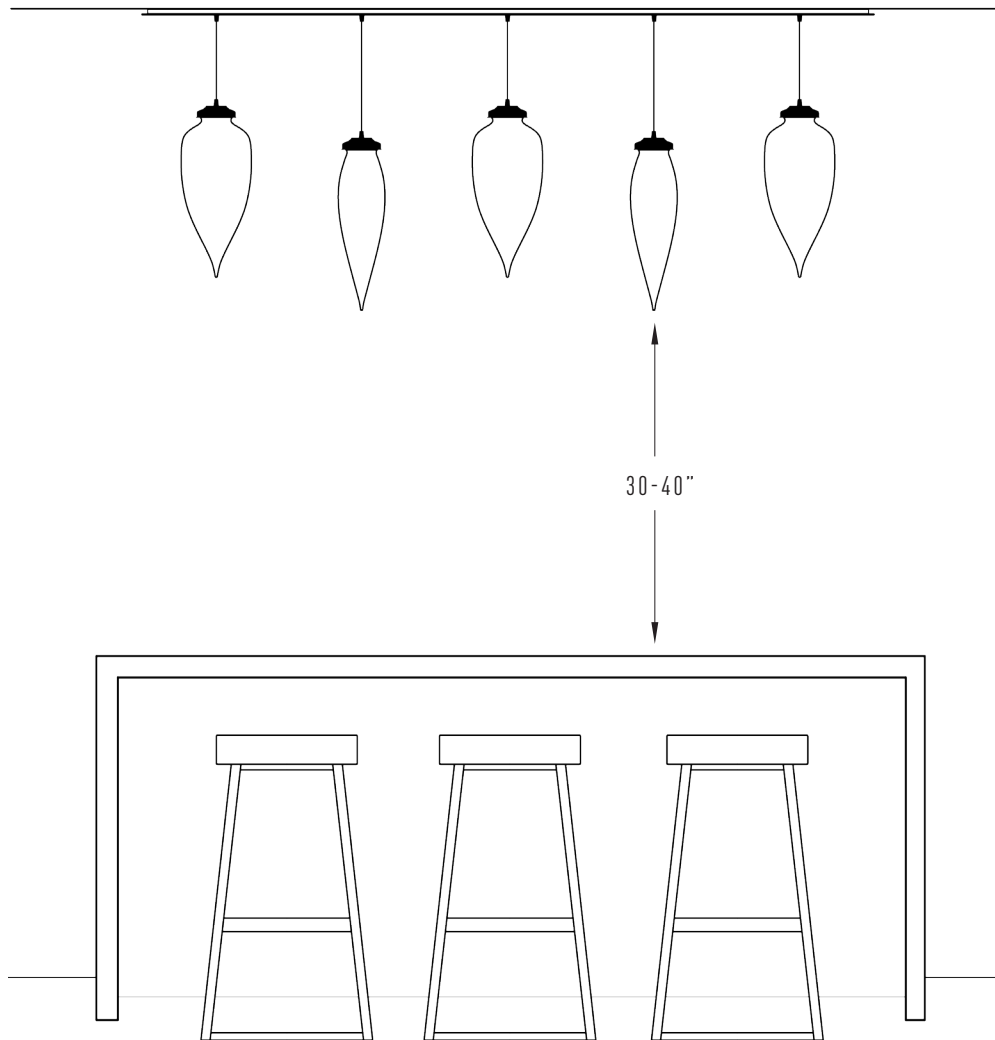
HOW LOW (OR HIGH) CAN YOU GO?



RECOMMENDED  
DISTANCE FROM TABLE TOP

The standard 4' length that comes supplied with your Niche pendant should work for most installations, but you can also select from longer lengths. Your electrician can easily adjust the height up or down before installing so you can get it just right.

"A little higher. Now a little lower. Ok, perfect!"



RECOMMENDED  
DISTANCE FROM COUNTER TOP

## AT THE END OF YOUR ROPE?

All Niche cord sets can be cut on site to the desired length. To find out how much cord length you need just take the measurement from the floor to the ceiling and then subtract that from the distance from the floor to the bottom of the glass. It's easy and we're always here to help make sure you have exactly what you need.



THOSE ARE THE  
AS TH

“ **SPACE** AND **LIGHT** AND **ORDER**.  
THINGS THAT MEN NEED JUST AS MUCH  
THEY NEED BREAD OR A PLACE TO SLEEP. ”

-LE CORBUSIER



*handmade with  in new york*

Located along the Hudson River, Niche calls the city of Beacon home.

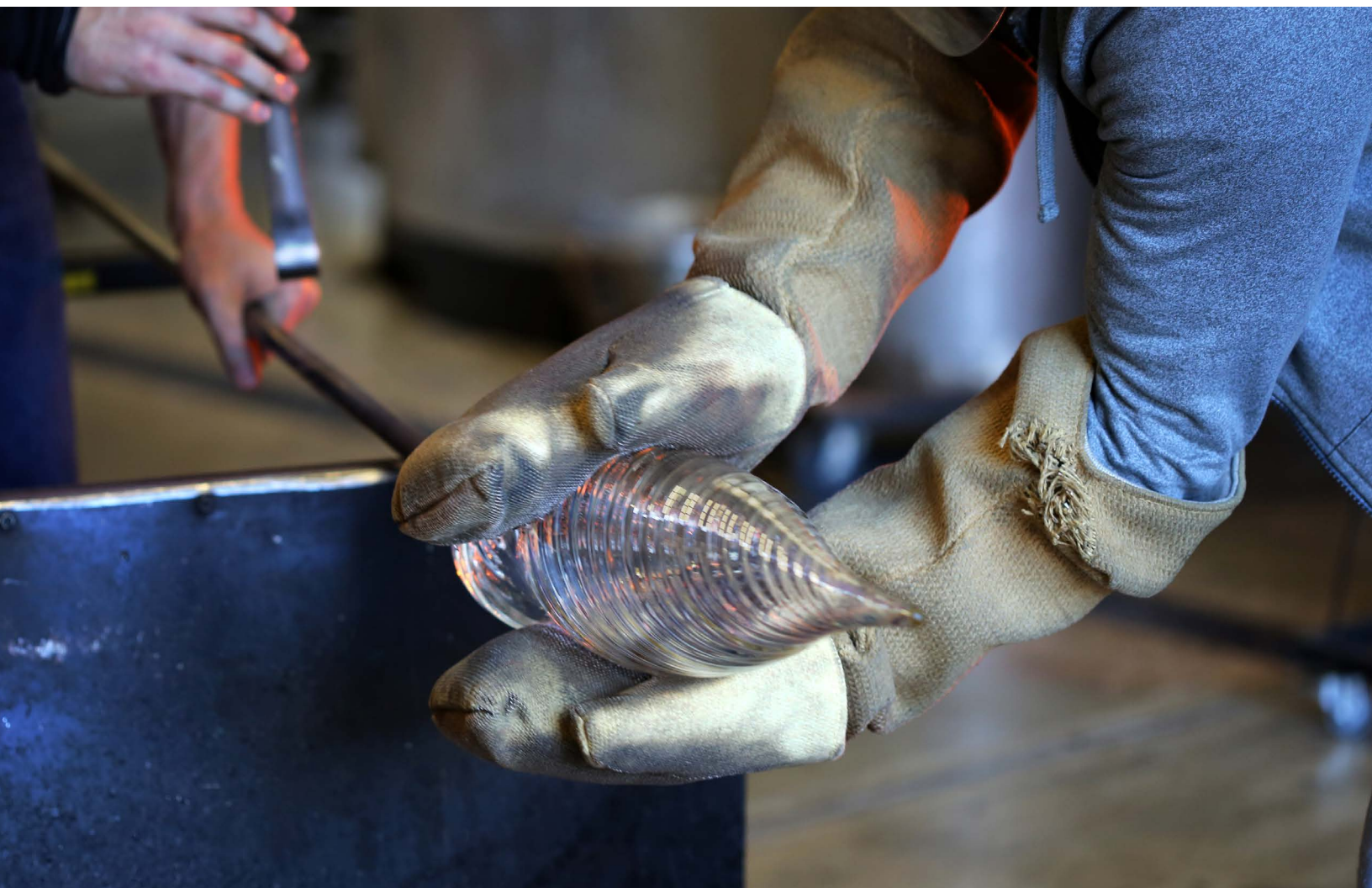
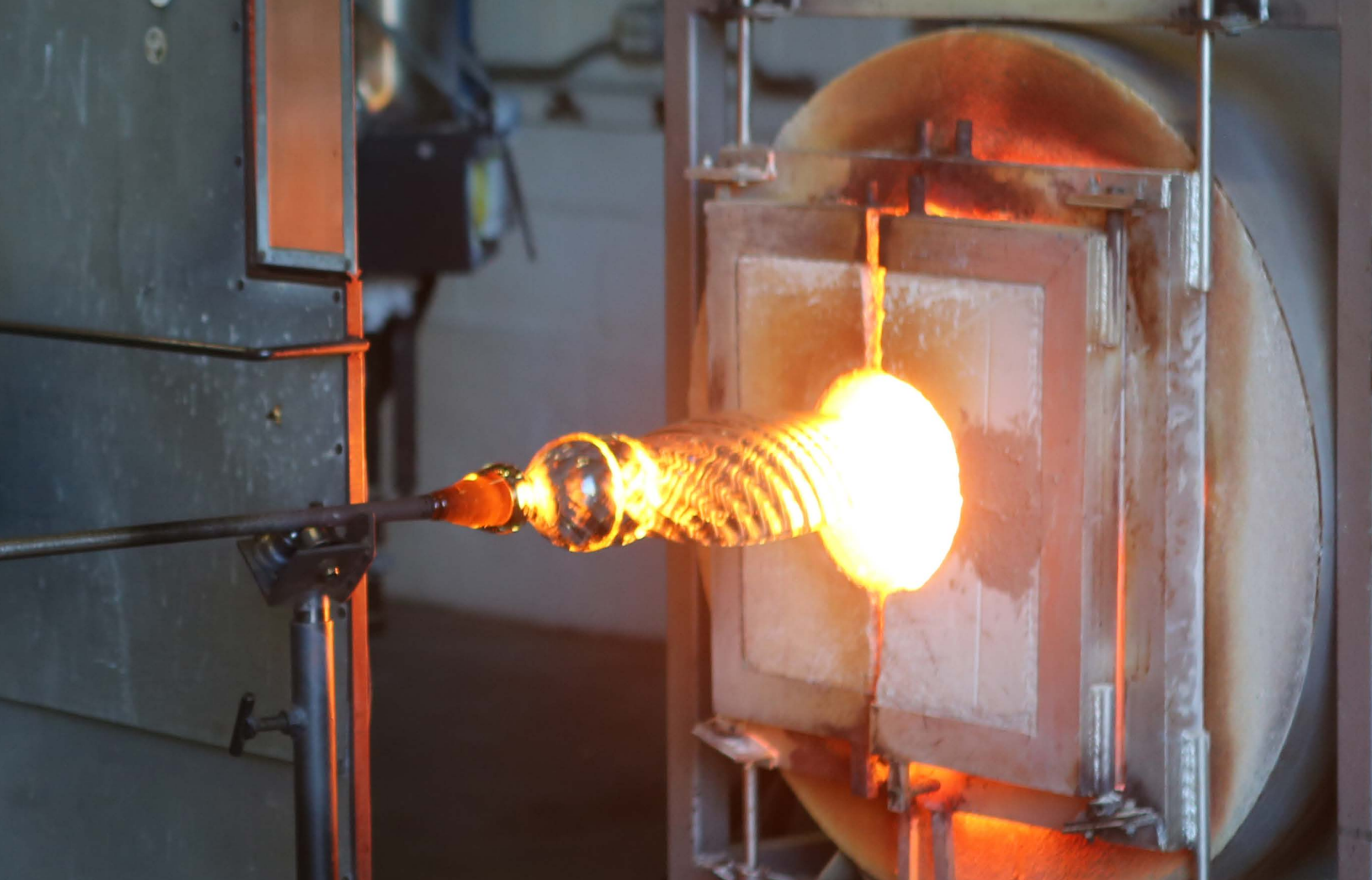
It's also where our products are hand-made to order by our team of talented artisans. When you purchase from Niche you can be certain that it's made in New York with love.



Connect with us online, or the old fashioned way:

P.O. Box 311  
Beacon, NY 12508  
T: 866.299.7105  
F: 212.777.2051







  
MADE IN THE USA

M A D E

*not*

M A N U F A C T U R E D